

Model 5528

Portable Low Pressure Calibrator

- <0.05% Accuracy, Full Scale
- Digital Pressure Display
- Integrated USB Interface
- Portable, Battery Powered
- Fine Tuning Valve



PHONE: (800) 275-2080

HIGH SIERRA ELECTRONICS, INC.

FAX: (530) 273-2089



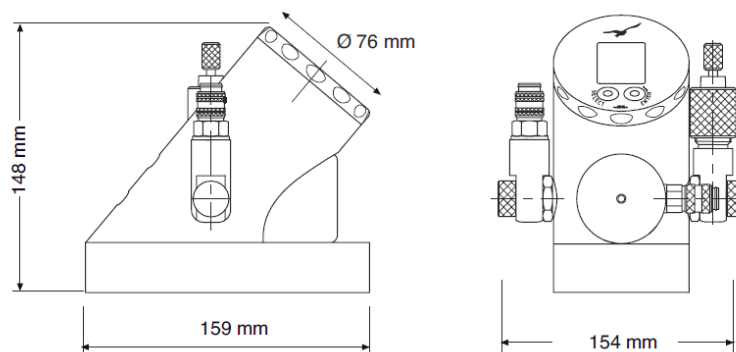
DESCRIPTION:

Model 5528 pressure calibrator is a highly accurate calibration instrument, which is available in -12.3 to 145 psi (-0.85 to 10 bar) pressure range (special measurement ranges are available on request). The low-pressure calibrator is used to generate pressure in order to check and calibrate mechanical and electronic pressure measurement devices with the help of comparative measurements.

The pressure generator is combined with a pressure display in a functional housing. The pressure on a test object that is fitted to the calibrator can be built up quickly, and tracking is made easy thanks to the integrated display. Test objects are connected to the low-pressure calibrator via the Serto coupler and a connection nipple (G 1/4 inch). An external hand pump (medium: air) is used to build the pressure up to an approximate level with pulling and pumping movements; the pressure is then adjusted exactly with the help of the integrated fine-tuning valve.

Measurement work is made easier by a wide range of functions, such as setting any desired pressure zero point, display of peak and trough pressure values, or leak measurements. Furthermore, the applied pressure can be displayed directly on a computer via the integrated interface (USB converter), after which it can be saved and processed or managed in any desired manner.

The calibrator includes hand pump, spare battery, type CR2430 (3,0 V), hose nipple, connection nipple (G 1/4 inch), sealing rings (G 1/8 inch + G 1/4 inch), CrNi filter, vacuum pump, USB interface converter, software CD, test record (5 points), and operating instructions. The calibrator and all accessories are supplied in a durable carrying case, making it ideal for assignments in the field.



02-5528-00(A)

Environmental Monitoring Solutions

WEB SITE: www.highsierraelectronics.com E-MAIL: sales@highsierraelectronics.com

Model 5528 Portable Low Pressure Calibrator

SPECIFICATIONS:

Pressure Range -12.3 to 145 psi (-0.85 to 10 bar) (others on request)

Accuracy, Error Band*

50° to 104° F (10° to 40° C) <0.05% full scale

32° to 122° F (0° to 50° C) <0.1% full scale

Resolution 0.015 psi (1 mbar)

Measurement Interval 0.5 seconds

Electrical Characteristics

Power Supply 3 V battery, type CR2430

Battery Lifetime >2000 h in continuous operation

Calibrator Housing Polyamide 12

Pressure Port Serto and various adapters

Ambient Characteristics

Operating Temperature 32° to 122° F (0° to 50° C)

Compensated Range 32° to 122° F (0° to 50° C)

Storage Temperature 14° to 140° F (-10° to 60° C)

Humidity 5 to 95% relative air humidity

Degree of Protection IP 65

Dimensions 5.8 x 6.3 x 6.1 in (148 x 159 x 154 mm)

Weight 4.41 lbs (2 kg)

* Including accuracy, temperature coefficient, zero point, and range tolerance

ORDERING GUIDE:

Model 5528-00 Portable Low Pressure Calibrator; Includes: Calibrator, Carry Case, and Adapters for Pressure Transducers

OPTIONS/SPARE PARTS:

Model 5528-11 Pressure Adapter Kit for Model 6600-10 Pressure Transducers

Model 5528-20 Pressure Adapter Kit for Model 6640-00 Pressure Transducers

See www.highsierraelectronics.com for more specification and ordering information.

02-5528-00(A)

PHONE: (800) 275-2080

HIGH SIERRA ELECTRONICS, INC.

FAX: (530) 273-2089